

## PARTS LIST FOR 01011/HINO FUELSCOOP Pre-2011

**(To suit Hino Dutro 5000-8500 Series)**

	<u>PART No</u>	<u>DESCRIPTION</u>	<u>QTY</u>
1.	<b>01011/HINO</b>	<b>FUELSCOOP PLUS</b> (assembled on roof bows)	<b>1</b>
2.	<b>K/01011/HINO/BC</b>	<b>BRACKET COVERS</b>	<b>1 SET</b>
3.	<b>K/01011/HINO/FK</b>	<b>FITTING KIT</b>	<b>1</b>

1. TO MOUNT FUELSCOOP PLUS TO ROOF BOWS;

1.	K403/06	5/16" x 1" HEX HD SET SCREW	8
2.	K403/07	5/16" NYLOC NUTS	8
3.	K101/10	5/16" x 1" FLAT WASHERS	20
4.	K403/30	8mm x 30mm HEX HD SET SCREW	4
5.	K101/05	5/16" SPRING WASHER	4
6.	SPACER80	PVC SPACER	2 cut in half
7.	K/01011/HINO/01	ROOF BOW (FRONT)	1
8.	K/01011/HINO/02	ROOF BOW (REAR)	1
9.	K/01011/HINO/03(n/s)	FRONT ROOF BOW MOUNTING BRACKET (N/S)	1
10.	K/01011/HINO/03(o/s)	FRONT ROOF BOW MOUNTING BRACKET (O/S)	1

2. TO MOUNT ROOF BOWS TO CAB ROOF;

<input type="checkbox"/>	K405/25	8mm x 25mm HEX HD SET SCREW	8
<input type="checkbox"/>	K101/05	5/16" SPRING WASHER	8
<input type="checkbox"/>	K101/10	5/16" x 1" FLAT WASHER	8
<input type="checkbox"/>	K/SPACER80	PVC SPACER	4

3. TO MOUNT BRACKET COVERS TO ROOF BOWS;

<input type="checkbox"/>	K405/18	6mm x 50mm HEX HD SET SCREW	2
<input type="checkbox"/>	K101/08	1/4" SPRING WASHER	2
<input type="checkbox"/>	K101/09	1/4" x 1" FLAT WASHER	2
<input type="checkbox"/>	K403/50	8mm x 50mm HEX HD SET SCREW	2
<input type="checkbox"/>	K101/05	5/16" SPRING WASHER	2
<input type="checkbox"/>	K101/10	5/16" x 1" FLAT WASHER	2

\*  K01014/01 39-560R U CHANNEL RUBBER 3.5m (approx)

**\* ALREADY GLUED TO BRACKET COVERS**

## **FITTING INSTRUCTIONS FOR 01011/HINO FUELSCOOP PLUS**

**(To suit Hino Dutro 5000 - 8500 range)**

1. REMOVE THE 8 ROOF MOUNTING COVER SCREWS FROM CAB ROOF

2. LIFT FUELSCOOP PLUS ONTO ROOF

3. APPLY SEALANT AROUND EACH MOUNTING HOLE IN ROOF

4. MOUNT FUELSCOOP PLUS TO CAB ROOF USING;

- PVC SPACER 4
- 8mm x 25mm HEX HD SET SCREW 8
- 8mm SPRING WASHER 8
- 5/16" x 1" FLAT WASHER 8

\* (SPACERS ARE TO BE FITTED BETWEEN CAB ROOF & ROOF BOWS)

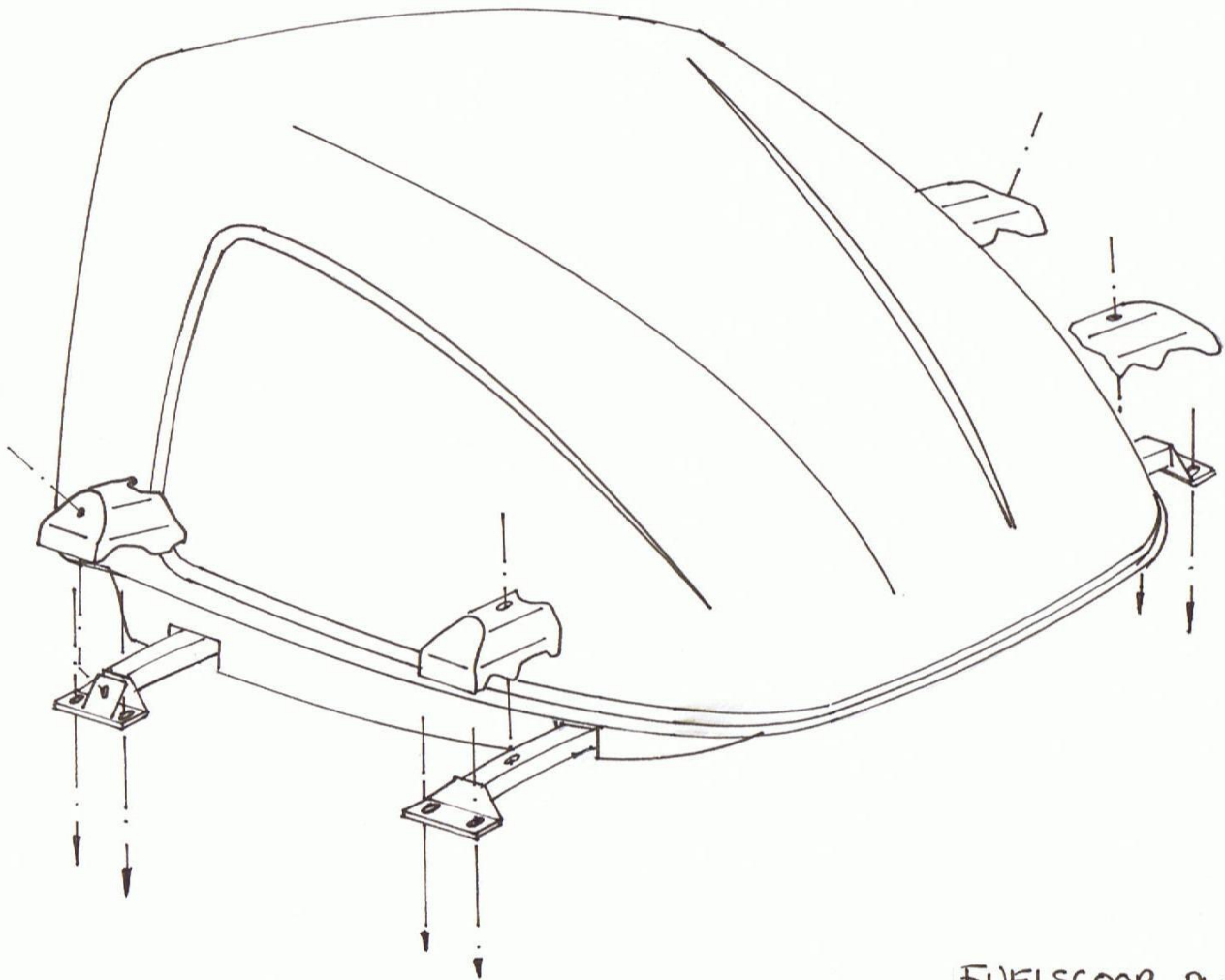
\* (LEAVE ALL BOLTS LOOSE TO ALLOW FOR FINAL CENTERING)

5. ONCE FUELSCOOP PLUS IS CENTERED, TIGHTEN ALL BOLTS, INCLUDING THE BOLTS THAT HOLD THE FUELSCOOP PLUS TO ROOF BOWS.

6. FIT BRACKET COVERS TO ROOF BOWS USING;

- 6mm x 50mm HEX HD SET SCREWS 2
  - 1/4" SPRING WASHERS 2
  - 1/4" x 1" FLAT WASHERS 2
- } REAR
- 
- 8mm x 50mm HEX HD SET SCREW 2
  - 5/16" SPRING WASHER 2
  - 5/16" x 1" FLAT WASHER 2
- } FRONT

7. CLEAN DOWN KIT



FUELSCOOP PLUS